

55 39 2 41 54

1 2 52 3 54 39 59 72 71

50 12 11 9 7 5 4

61  
51  
49  
13

67 69 70 75 74

48

19 18 17 16 15 14 44 45

47 10

68  
66  
50  
48  
60

79

80

81

22 21

20

32

42 39 40

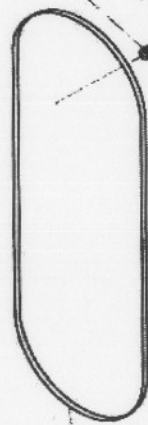
152

31

82

62

88



26

176 33 34 35

37 159

36 38 73

61

90

89 63

87

20 28

30

29 76

61

39 2 41 54

83



86 84

65

122

152

61

23 22 21 18 26 25 27 91 21 92 93 77 61 58 57 56 61

6

56

57

24

172

60

64

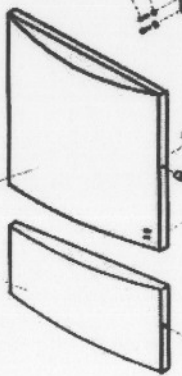
54

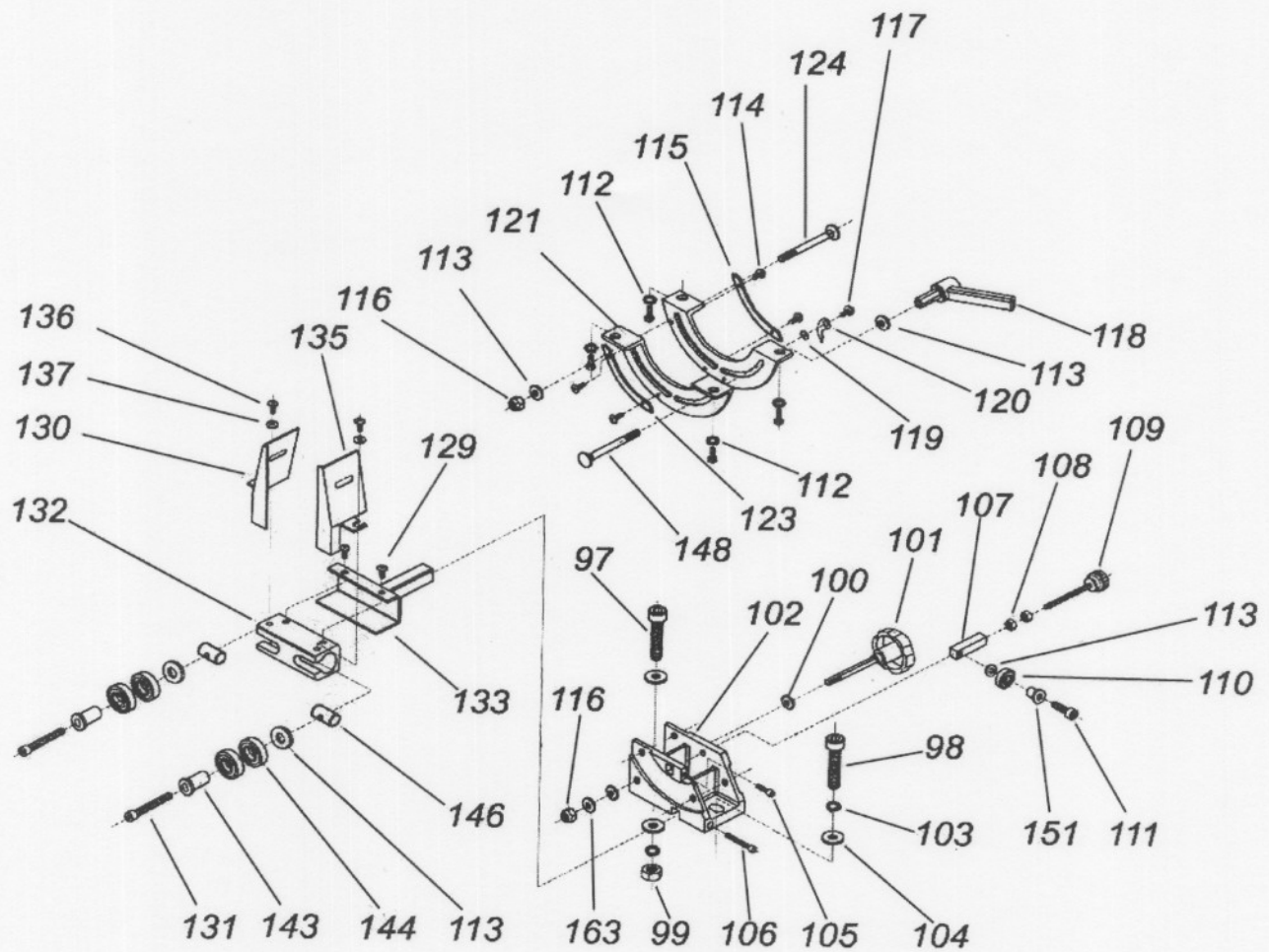
95

96

49

94

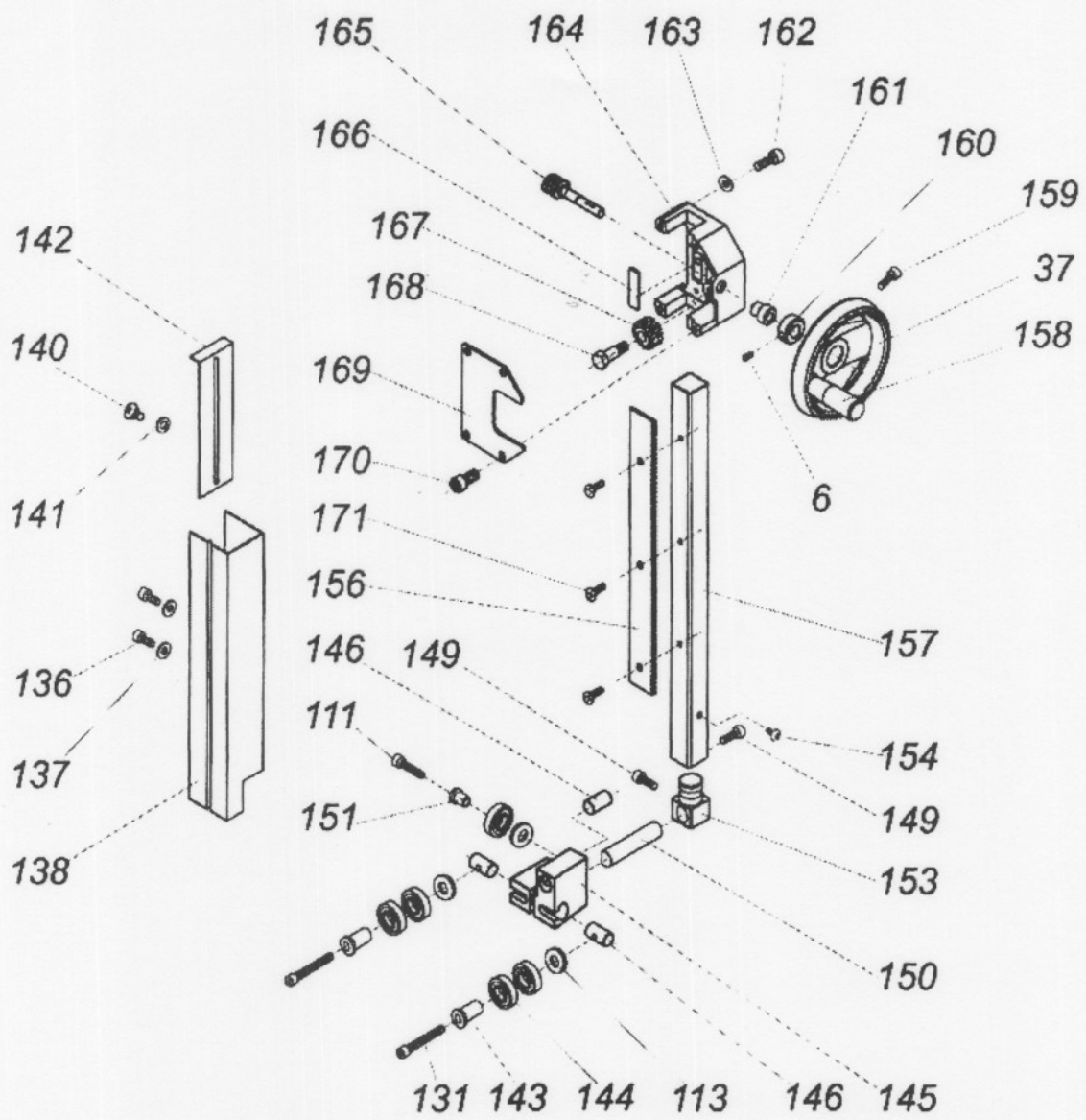


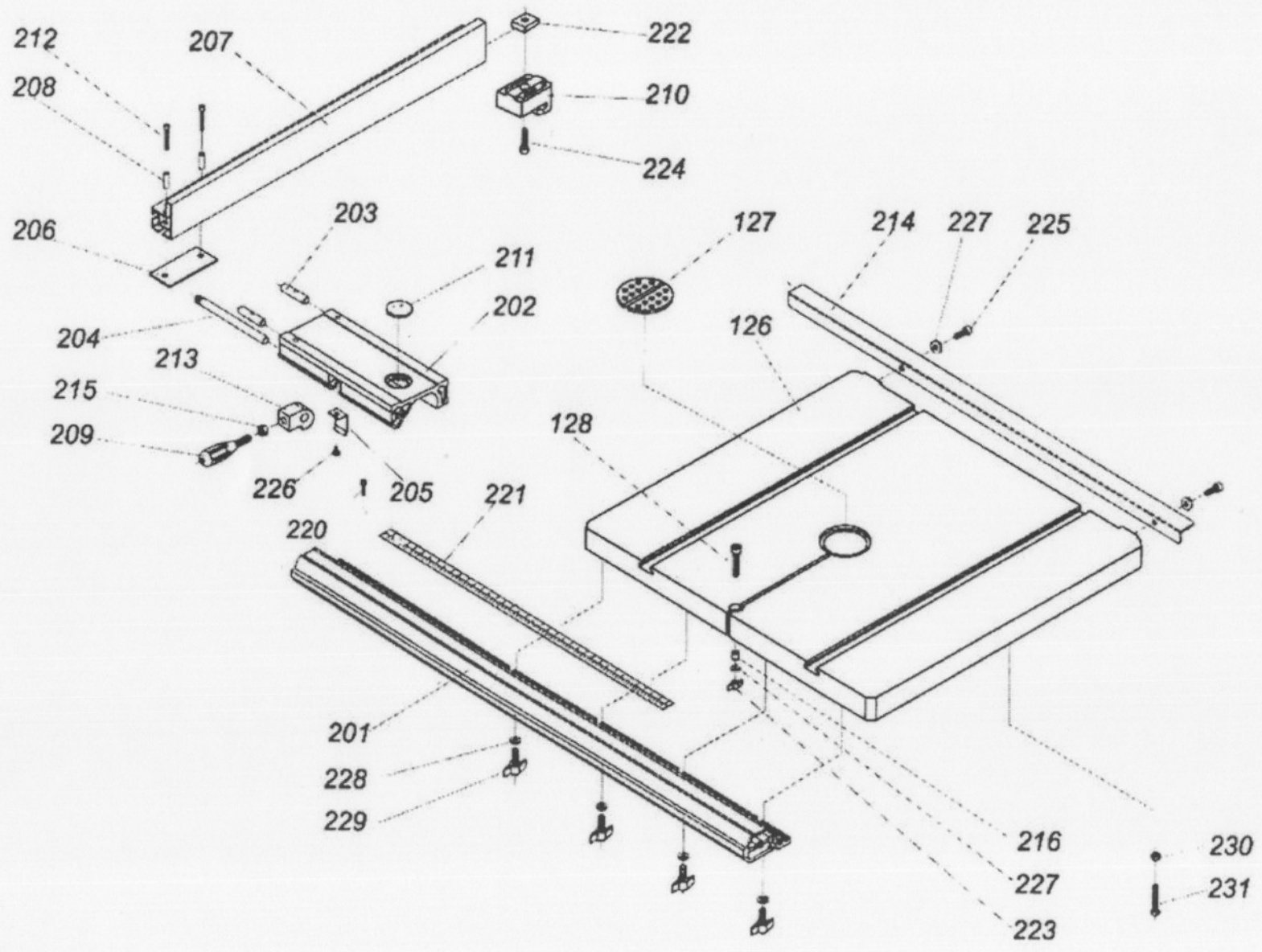


Para pedir cualquier recambio, solo debe indicarnos el modelo de la máquina, en número de recambio de los esquemas y la lista y la cantidad que necesita.

### Lombarte Group

Cardona, 55  
 E-08203 Sabadell - EU  
 Tel. 93 727 00 51  
 Fax 93 727 40 57





N°	Recambio	N°	Recambio
1	Pan Head Bolt M4-0.7x35	48	Rivet
2	Flat Washer M4	49	Hex Bolt M6-1.0x20
3	Safety Switch Seat	50	Clear Window
4	Ring	51	Bushing
5	Frame	52	Safety Switch
6	Set Screw M6-1.0x10	54	Nut M4
7	Switch Cord	55	Upper Wheel Cover
8	Flat Washer M5	56	Hex Bolt M6-1.0x25
9	Power Cord	57	Flat Washer M6
10	Hex Nut M6-1.0	58	Brush
11	Pointer	59	Hex Bolt M6-1.0x25
12	Step Screw	60	Star Handle
13	Upper Shaft	61	Nylon Nut M6-1.0
14	Roll Pin 5x36	62	Strain Relief
15	Upper Wheel Shaft Hinge	63	Strain Relief Nut
16	Upper Wheel Shaft	64	Small Handwheel
17	Bushing	65	Thread Rod
18	Bearing 6204	66	Knob Bolt M10-1.5x20
19	Upper Wheel	67	Knob Bolt M10-1.5x53
20	Int Retaining Ring M47	68	Threaded Handle M10-1.5
21	Flat Wahser M8	69	Cam
22	Hex Bolt M8-1.25x30	70	Pillow Block
23	Saw Blade	71	Shaft End
24	Board	72	Rod
25	Hex Bolt M6-1.0x30	73	Safety Switch Cord
26	Tire	74	Shaft
27	Lower Wheel	75	Cap Screw M8-1.25x20
28	Idle Pulley	76	Shaft-V Belt Pulley
29	Hex Nut M27x2	77	V Belt Pulley
30	Lock Washer 27	78	Circlip Ring
31	Motor Cord	79	Set Screw M8-1.25x20
32	Spring	80	Hex Nut M8-1.25
33	Roll Pin 3x16	81	Lower Wheel Shaft
34	Block	82	Motor
35	Bearing 51201	83	Hex Bolt M6-1.0x25
36	Switch	84	Lock Washer M8
37	Big Handwheel	85	Tongue
38	Adjusting Rod	86	Cap Screw M8-1.25x20
39	Phlp HD SCR w/Flange M5-0.8x10	87	Strain Relief Plate
40	Star Washer M5	88	Phlp HD SCR w/Flange
41	Plug-Safety Switch	89	Sliding Cover
42	Phlp HD SCR w/Flange M5x12	90	Key 5x5x35
43	Switch Plate	91	Hex Bolt M8-1.0x20LH
44	Hex Bolt M8-1.25x16	92	Motor Pulley
45	Flat Washer M8	93	V-Belt
46	Upper Wheel Sliding Bracket	94	Hex Bolt M6-1.0x30
47	Hex Bolt M6-1.0x25	95	Lower Wheel Cover